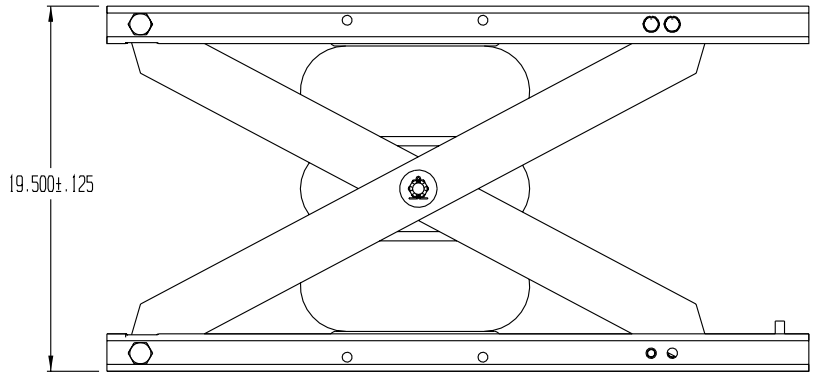
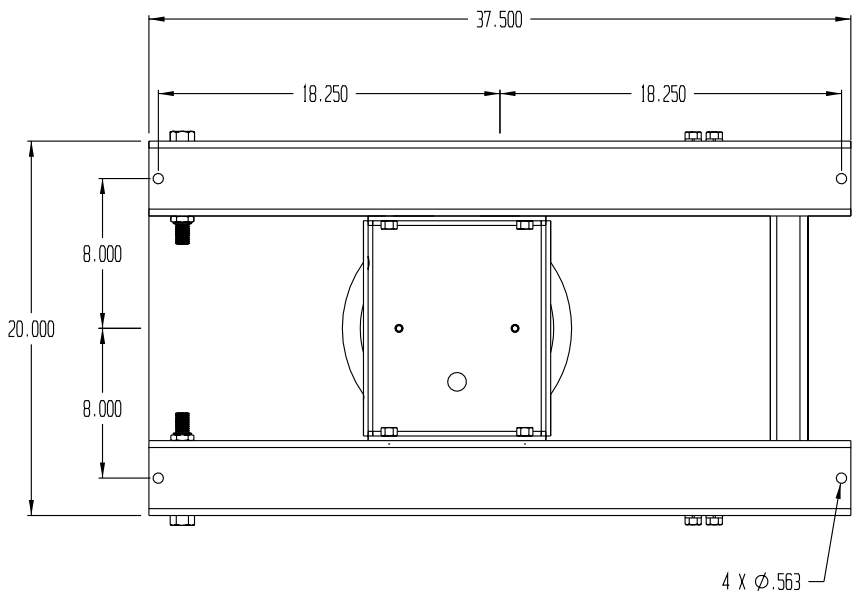
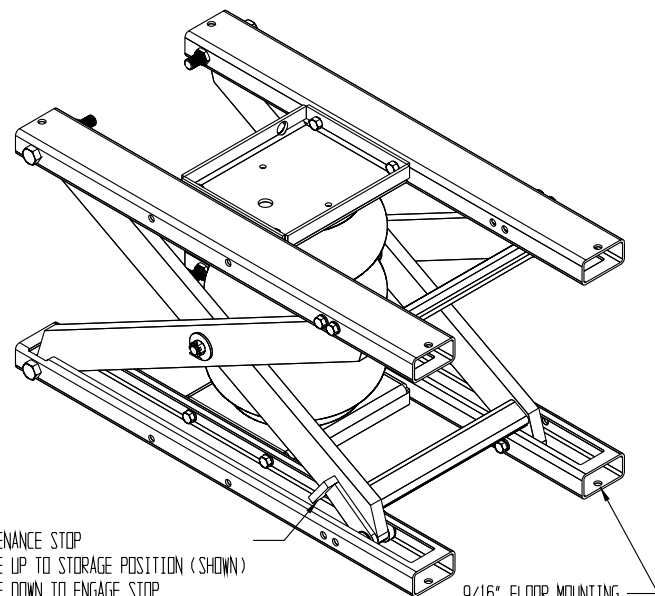
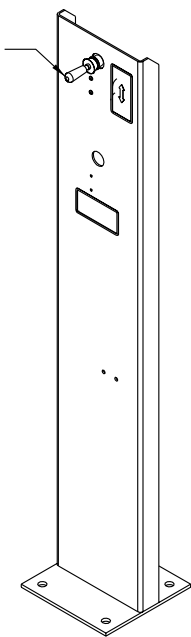


PART #: LSA20



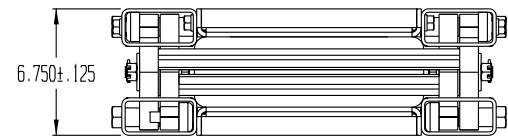
LIFT
UP/DOWN - SPRING RETURN



MAINTENANCE STOP
ROTATE UP TO STORAGE POSITION (SHOWN)
ROTATE DOWN TO ENGAGE STOP

9/16" FLOOR MOUNTING HOLES QTY (4)

- NOTES:
1) 12" HOSE SUPPLIED WITH LIFT
2) MINIMUM 1/2" AIR FEED REQUIRED



LIFT SPECIFICATIONS
CAPACITY: 3000 LBS
CONTROLLER: HAND
CONTROLLER MOUNT: PEDESTAL
INTERNAL VALVE: NONE
SAFETY FEATURES: MAINTENANCE STOP
PRESSURE RELIEF VALVE
SKIRT: NONE
COLOR: SAFETY ORANGE

REVISIONS			
REV	DESCRIPTION	DATE	APPROVED

POS	PART#	MATERIAL#	DESCRIPTION	QTY	UNIT
<p>TOLERANCES UNLESS OTHERWISE NOTED .X ± .250 .XX ± .125 .XXX ± 0.030 .XXXX ± 0.0050 ANGLE ± 1°</p>					
<p>DRN: RA 1-15-10</p>			<p>MATERIAL:</p>		
<p>PART #: LSA20</p>			<p>CHKD. BY: [] DWG NO.: 20106100 REV: [] REF: []</p>		

CONFIDENTIAL
THE INFORMATION CONTAINED ON THIS DRAWING IS BOTH CONFIDENTIAL AND PROPRIETARY. IT IS THE SOLE PROPERTY OF HERKULES EQUIPMENT CORPORATION. ANY REPRODUCTION IN PART OR AS A WHOLE WITHOUT THE WRITTEN PERMISSION OF HERKULES EQUIPMENT CORPORATION IS PROHIBITED AND MAY BE UNLAWFUL.

Enkon Systems

2760 RIDGEWAY COURT • WALLED LAKE, MI. 48390-1662
TITLE: LSA20-30-19-2038