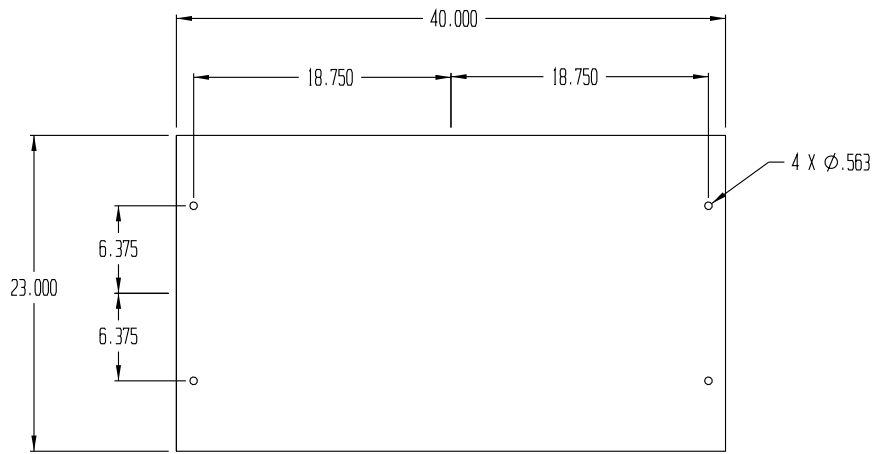
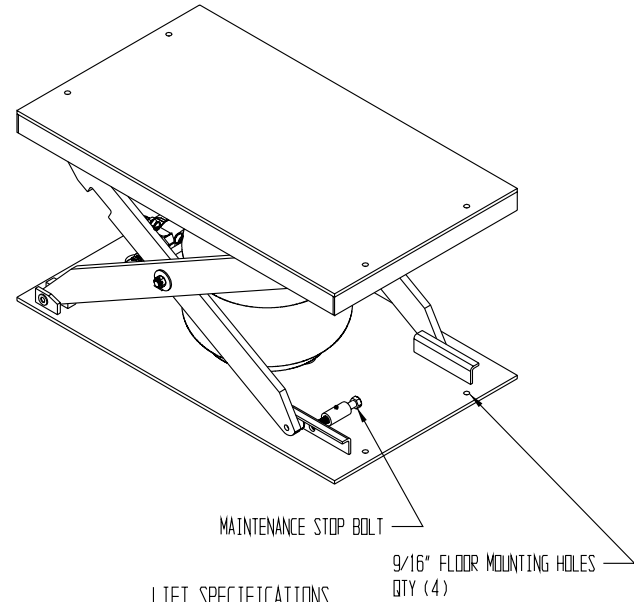
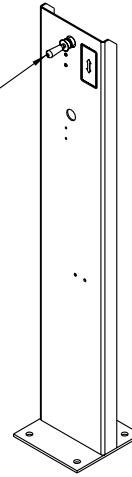


PART #: LSA06

REVISIONS			
REV	DESCRIPTION	DATE	APPROVED

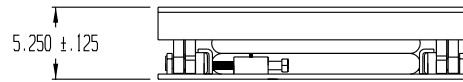
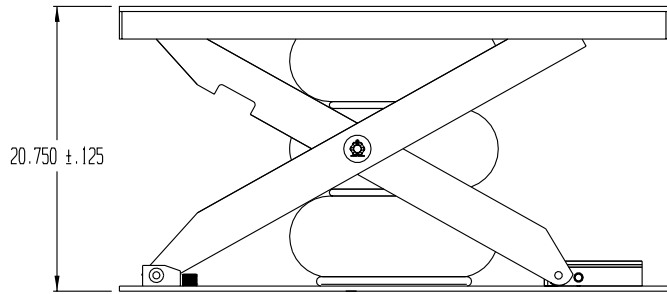


LIFT
UP/DOWN - SPRING RETURN



- NOTES:
 1) 12" HOSE SUPPLIED WITH LIFT
 2) MINIMUM 1/2" AIR FEED REQUIRED

LIFT SPECIFICATIONS
 CAPACITY: 3000 LBS
 CONTROLLER: HAND
 CONTROLLER MOUNT: PEDESTAL
 INTERNAL VALVE: NON-PILOT EXHAUST
 SAFETY FEATURES: MAINTENANCE STOP BOLT
 PRESSURE RELIEF VALVE
 SKIRT: NONE
 COLOR: SAFETY ORANGE



CONFIDENTIAL
 THE INFORMATION CONTAINED ON THIS DRAWING IS BOTH CONFIDENTIAL AND PROPRIETARY. IT IS THE SOLE PROPERTY OF HERCULES EQUIPMENT CORPORATION. ANY REPRODUCTION IN PART OR AS A WHOLE WITHOUT THE WRITTEN PERMISSION OF HERCULES EQUIPMENT CORPORATION IS PROHIBITED AND MAY BE UNLAWFUL.

POS	PART#	MATERIAL#	DESCRIPTION	QTY	UNIT
<p>Enkon Systems</p> <p>2760 RIDGEWAY COURT • WALLED LAKE, MI. 48390-1662</p> <p>TITLE: LSA06-30-21-2340</p>					
DRN: RA 1-15-10		MATERIAL:			
PART #: LSA06		CHKD. BY:	ENG NO.:	REV:	REF:
		20106101			